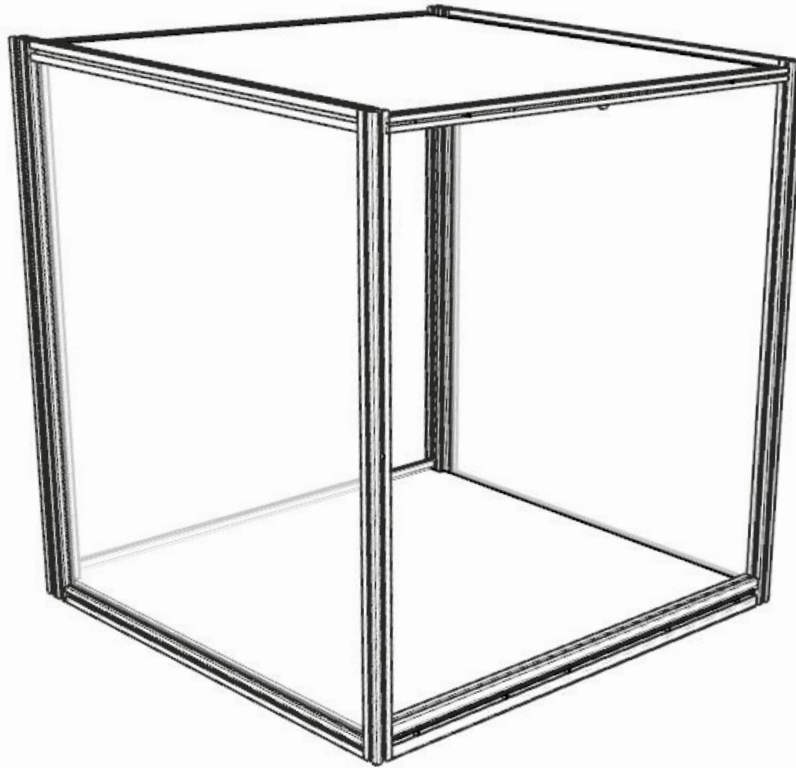
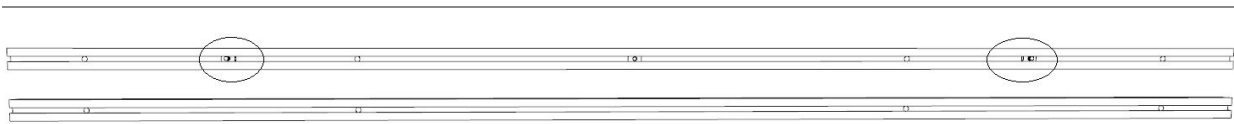


DF version modular display case Model: DF30, DF60 and DF130



Front bar- Top with protruding pins



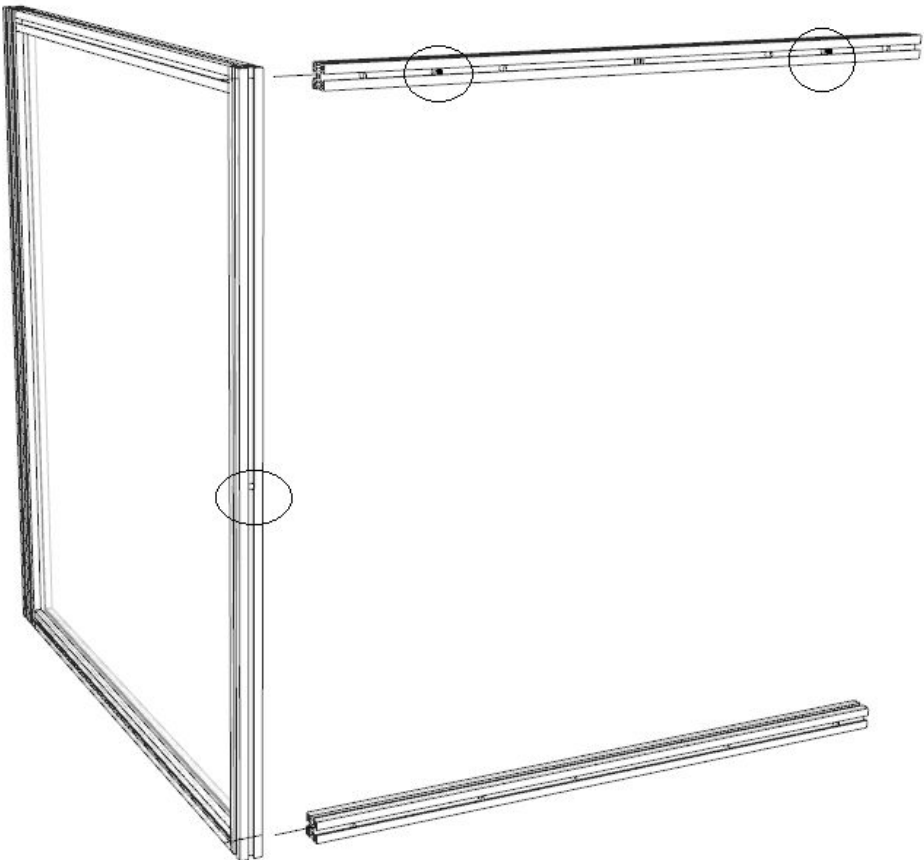
Front bar - bottom

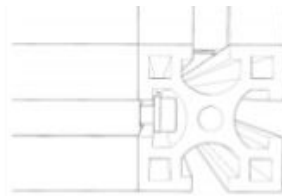
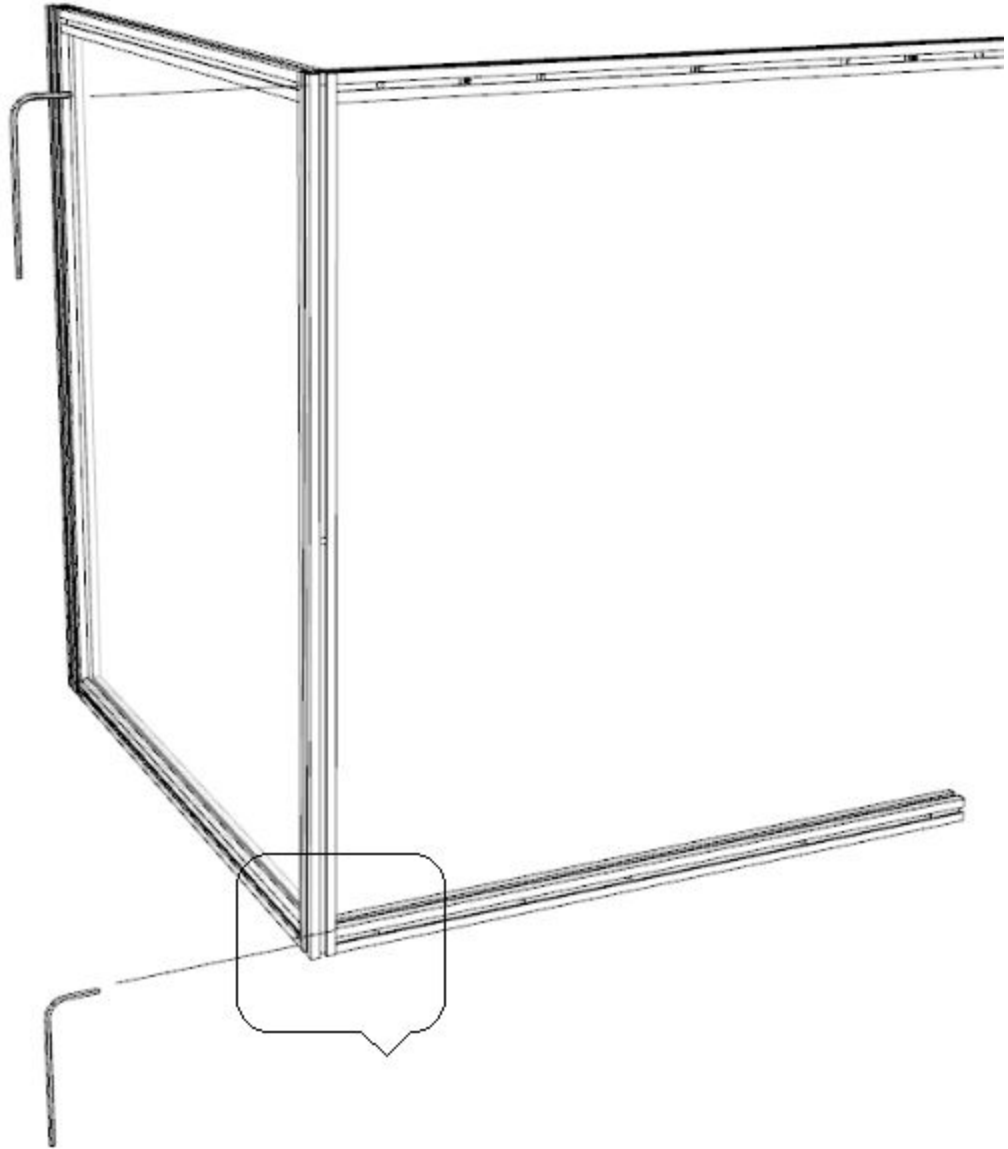


Back bar - No magnet x 2

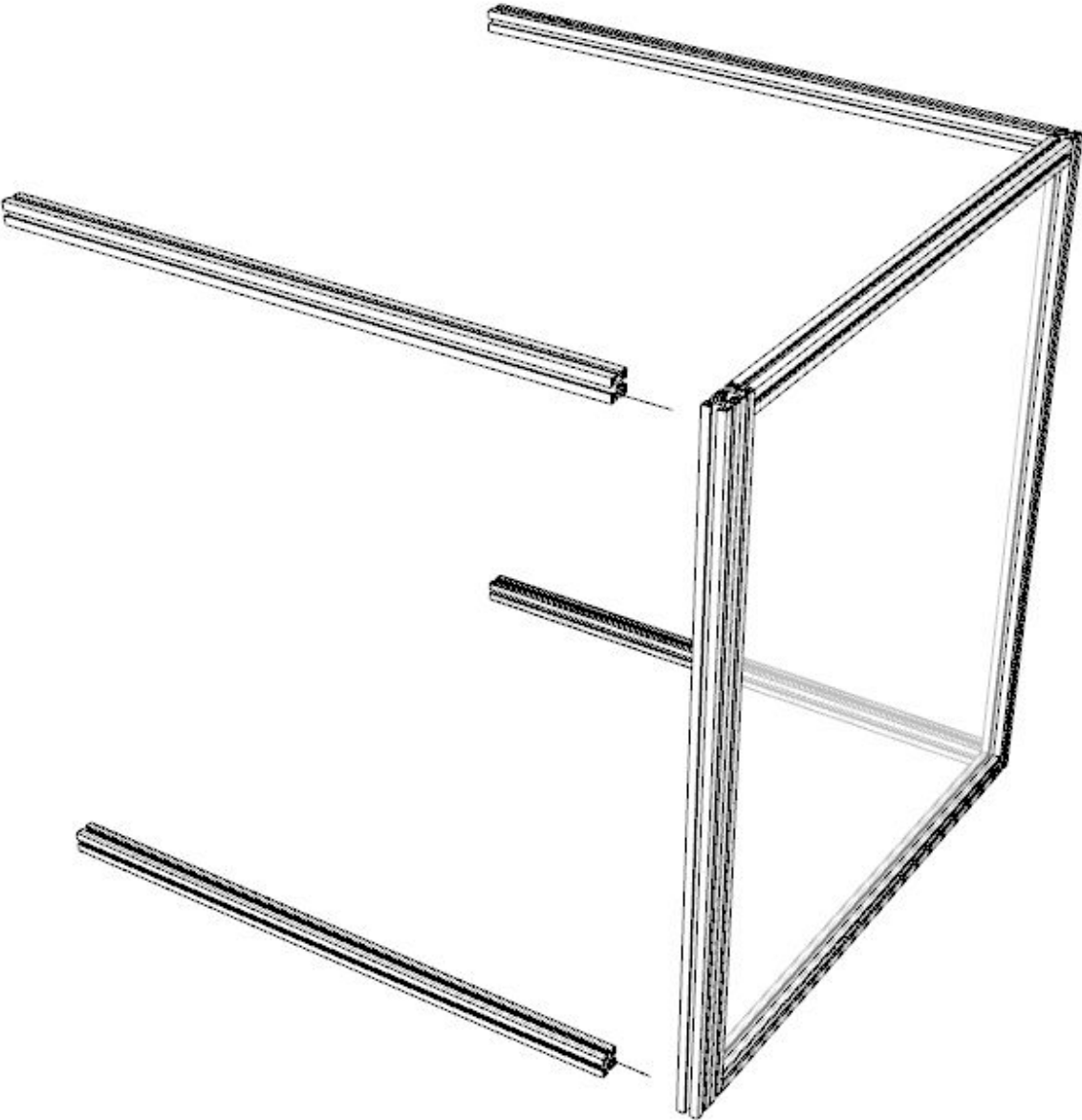


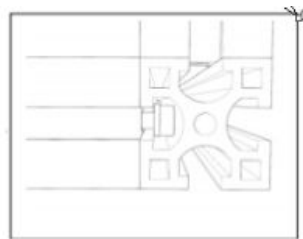
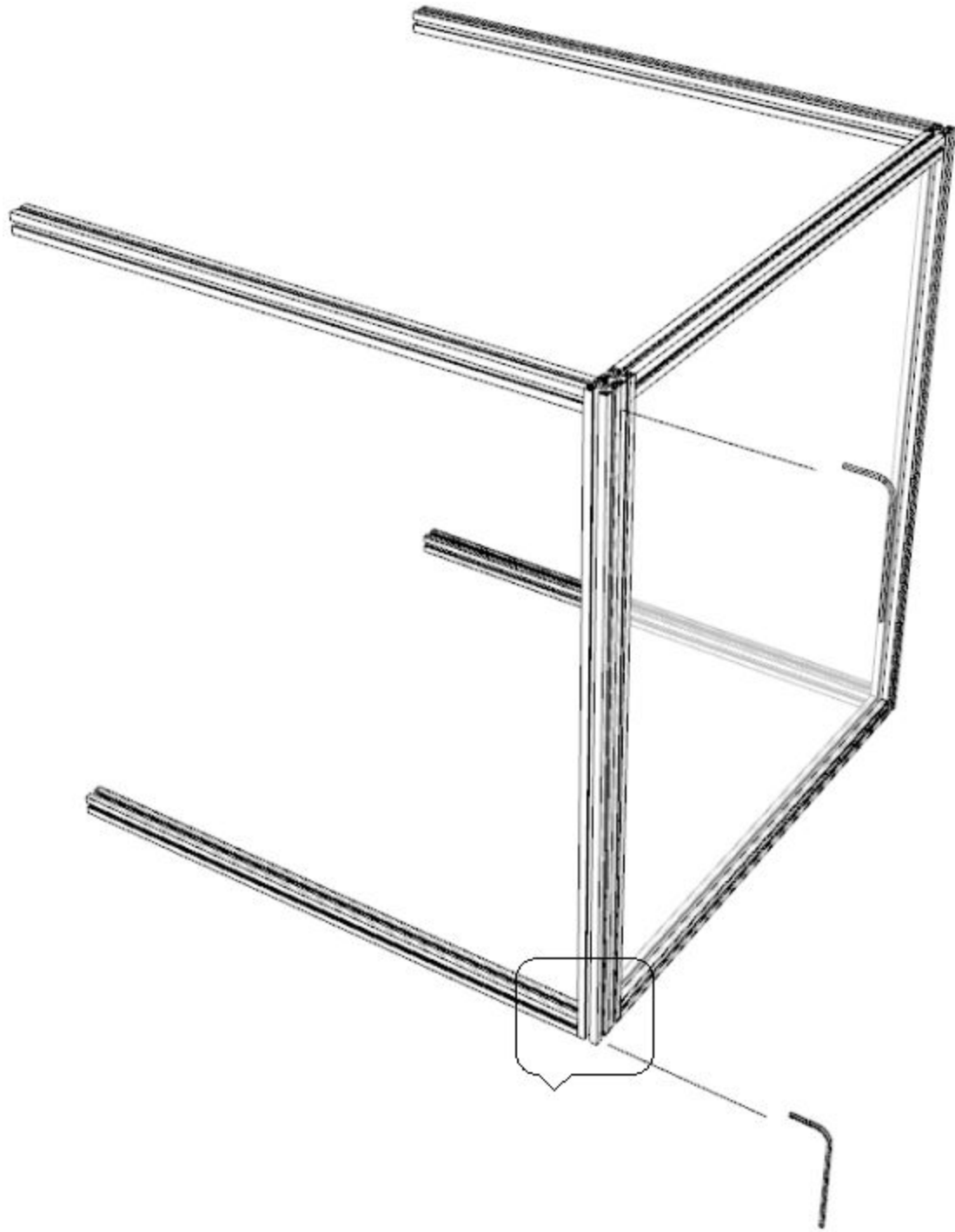
Insert Front bar -Magnet face front



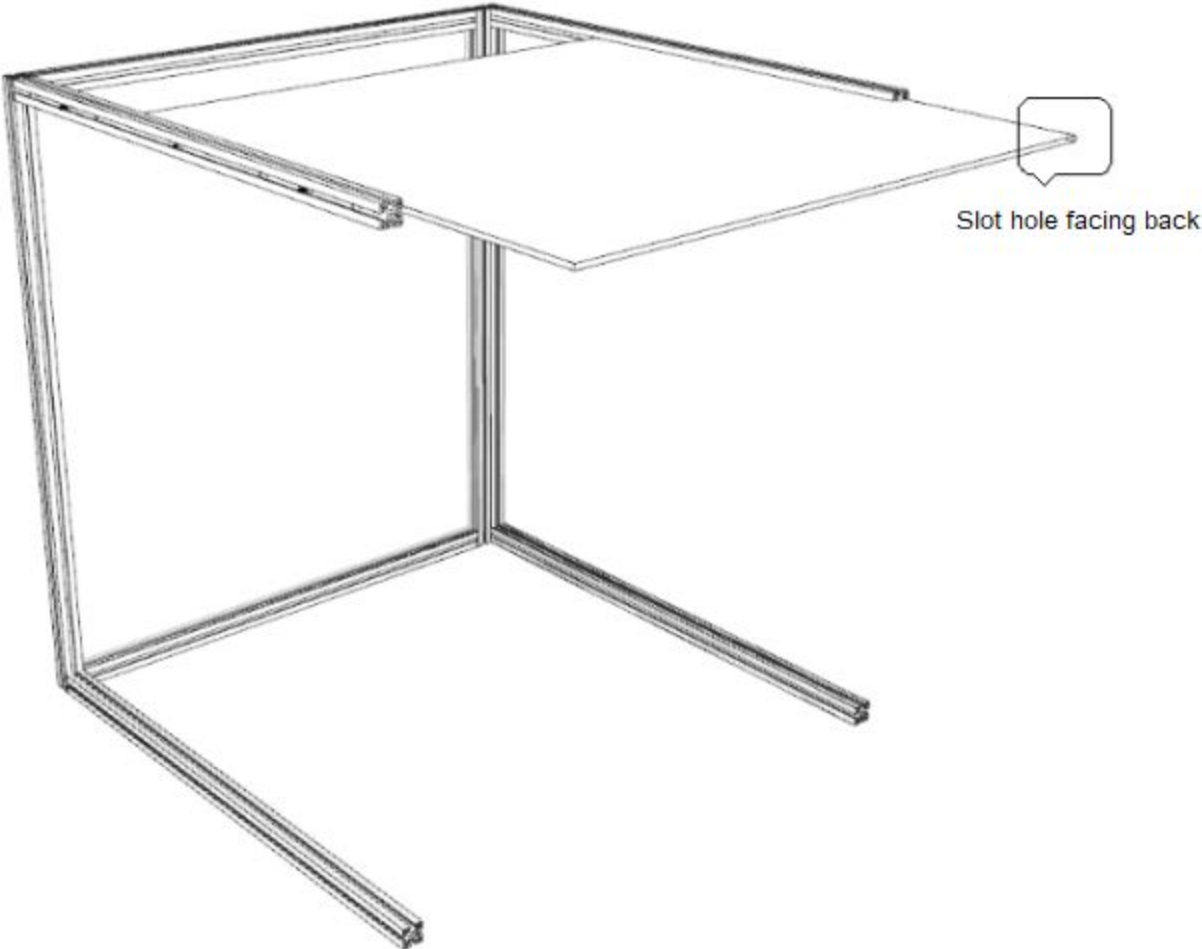


Insert Back bar - No magnet x 2

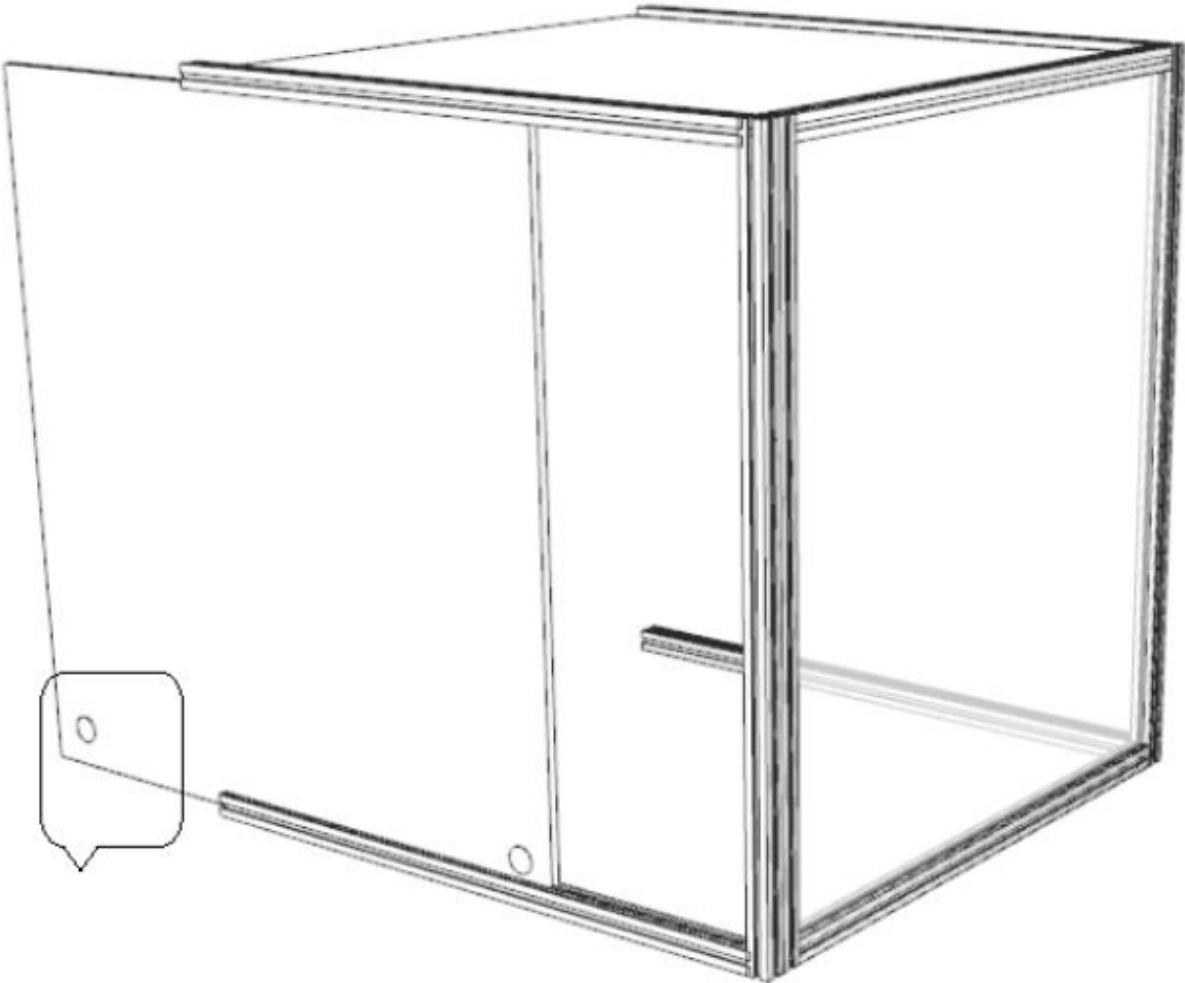




Slot in Top panel (Inner side facing down)

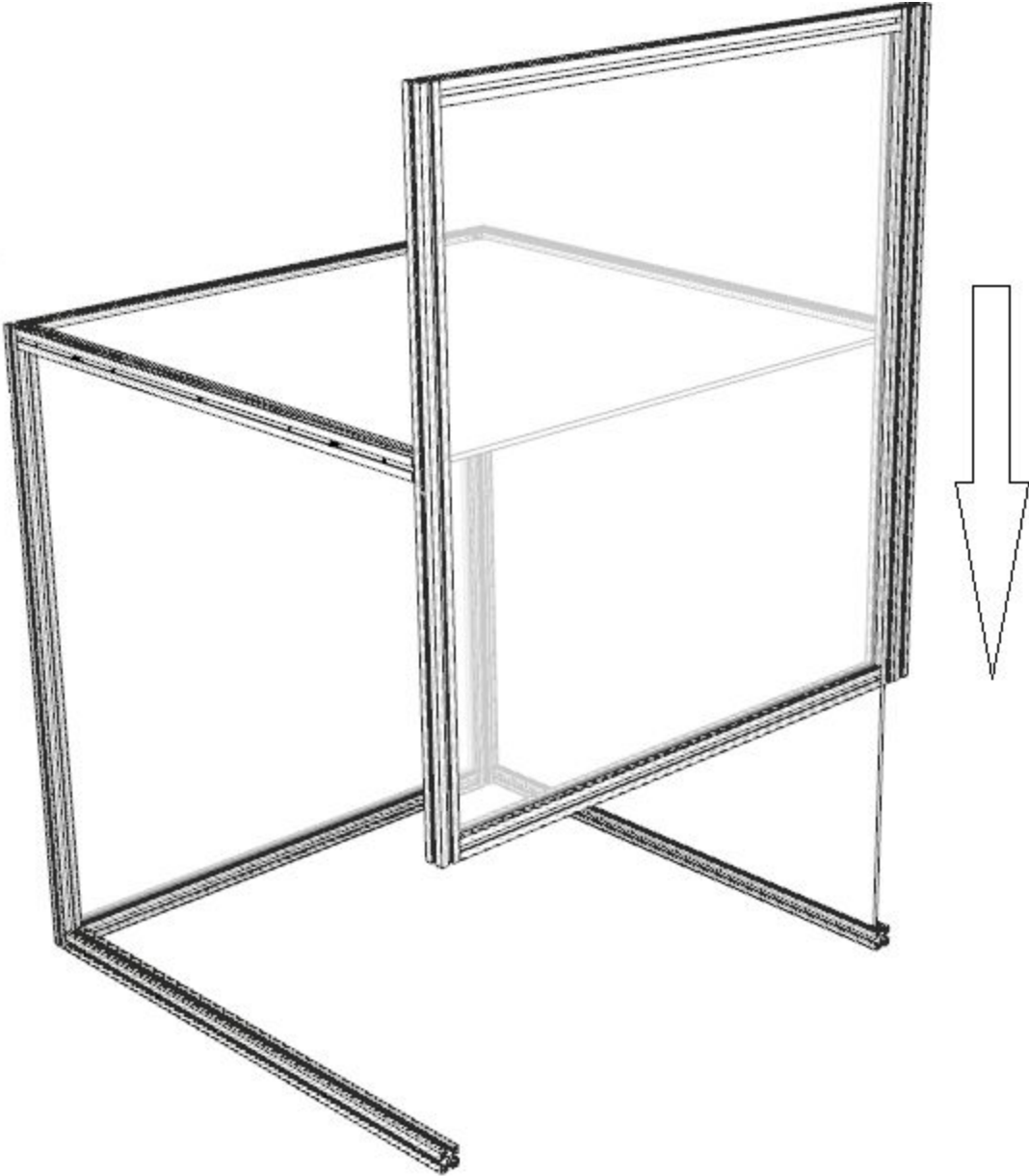


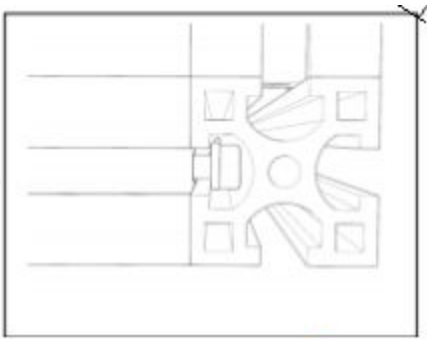
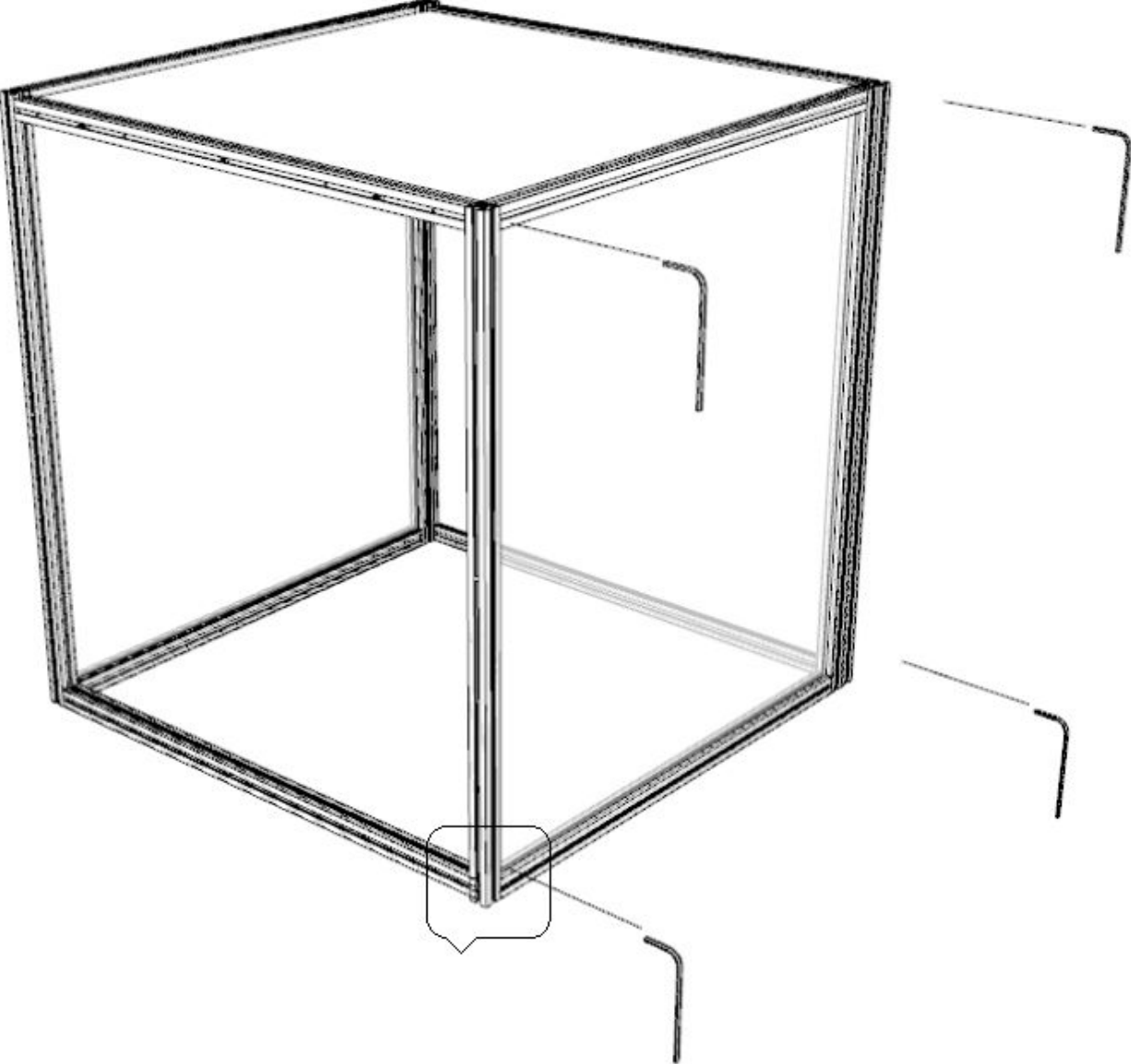
Slot in back panel(Inner side facing in)



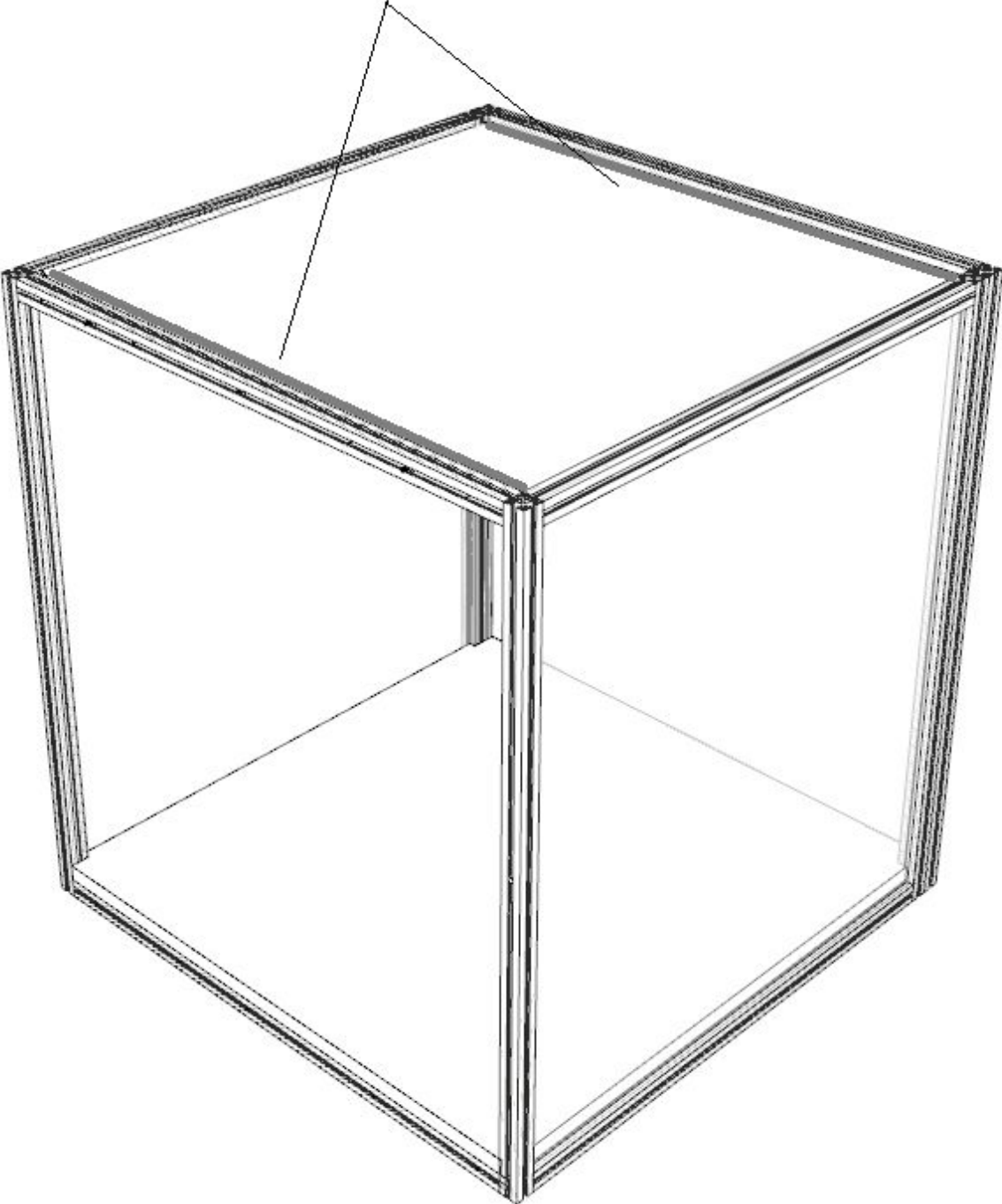
Hole facing down

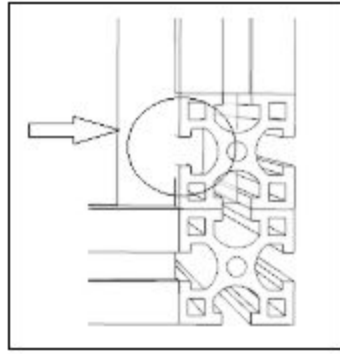
Slot in other side of side frame



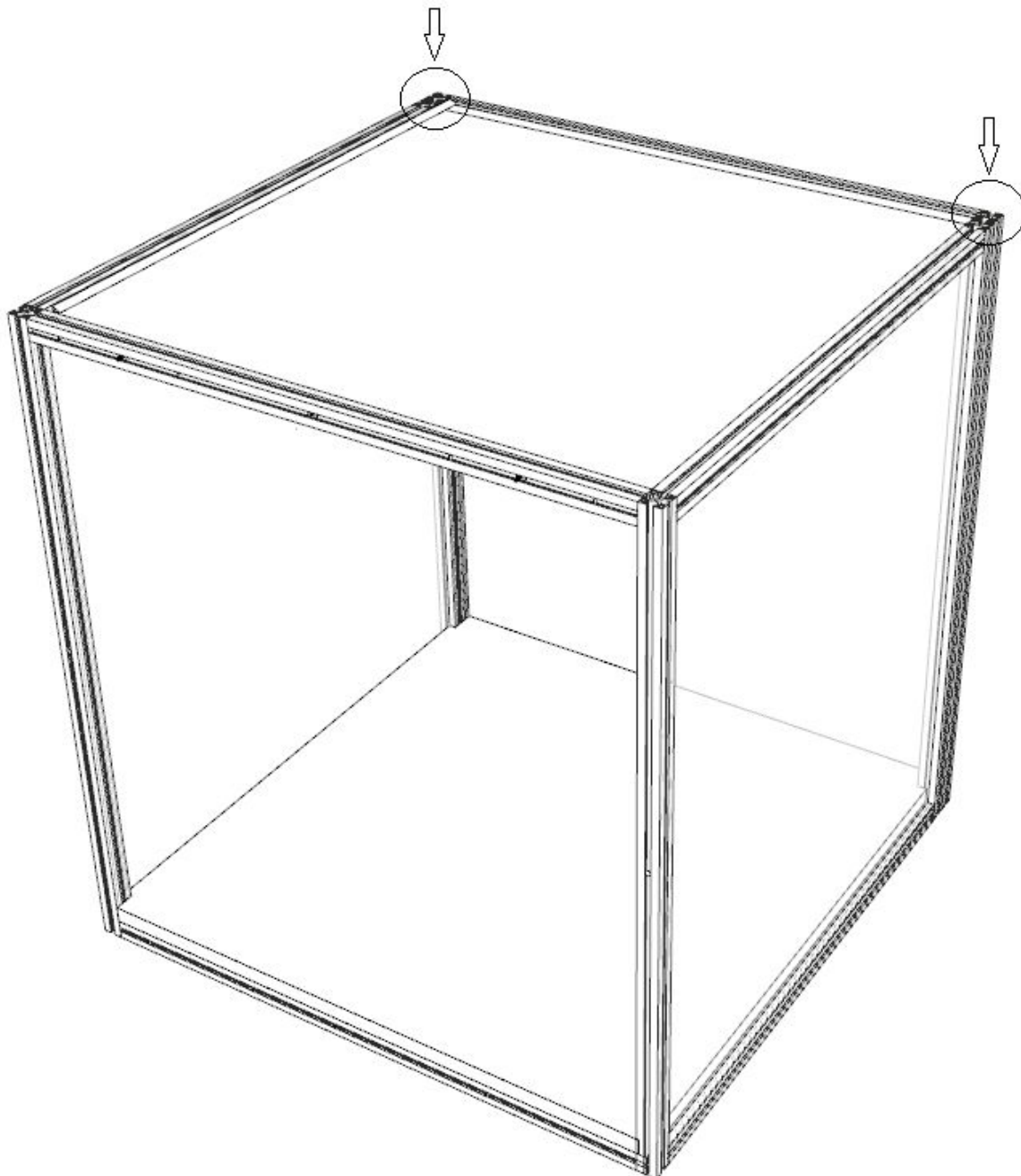


Insert top rubber highlighted in grey area.

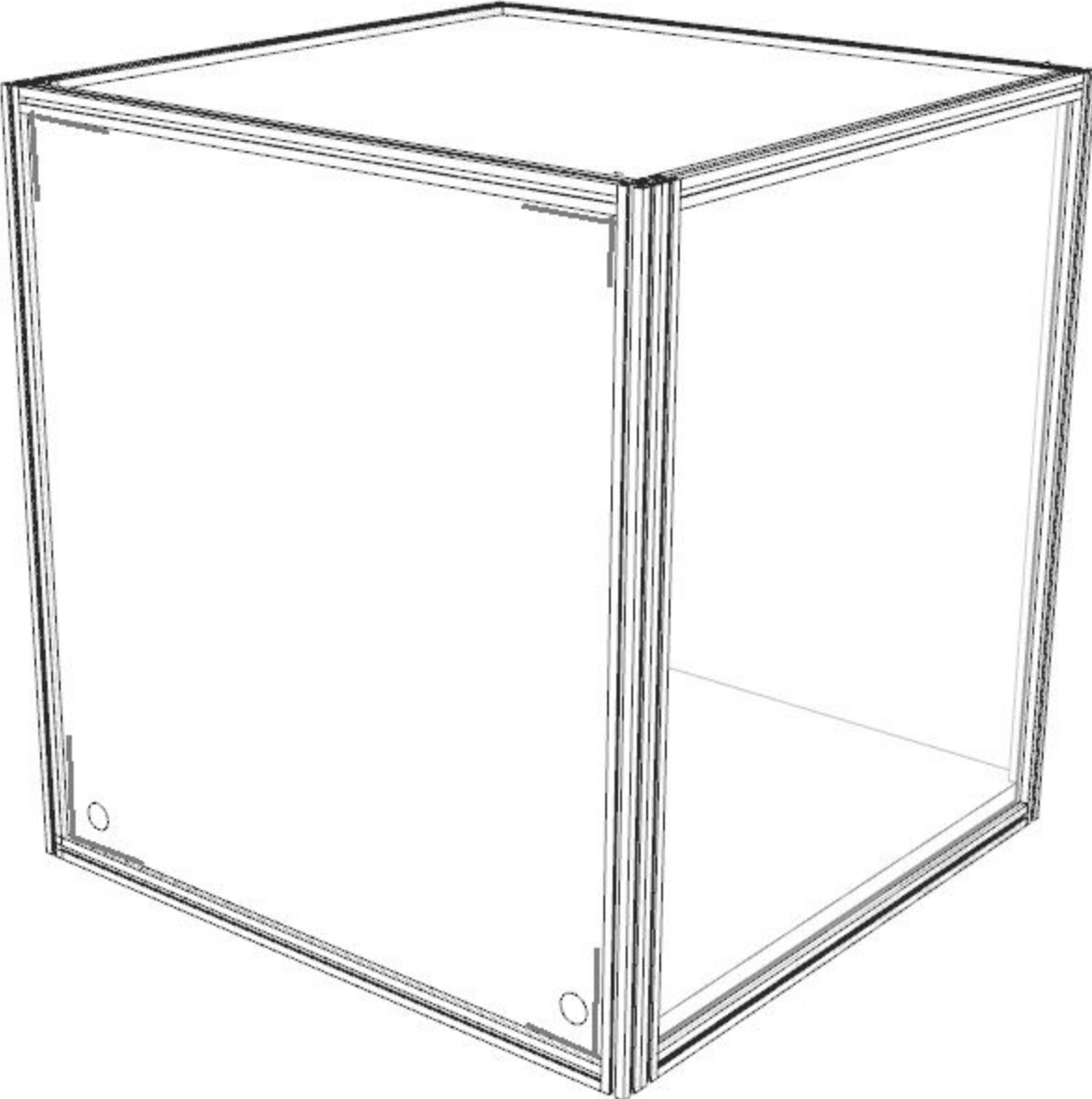




Insert rubber strip into slot

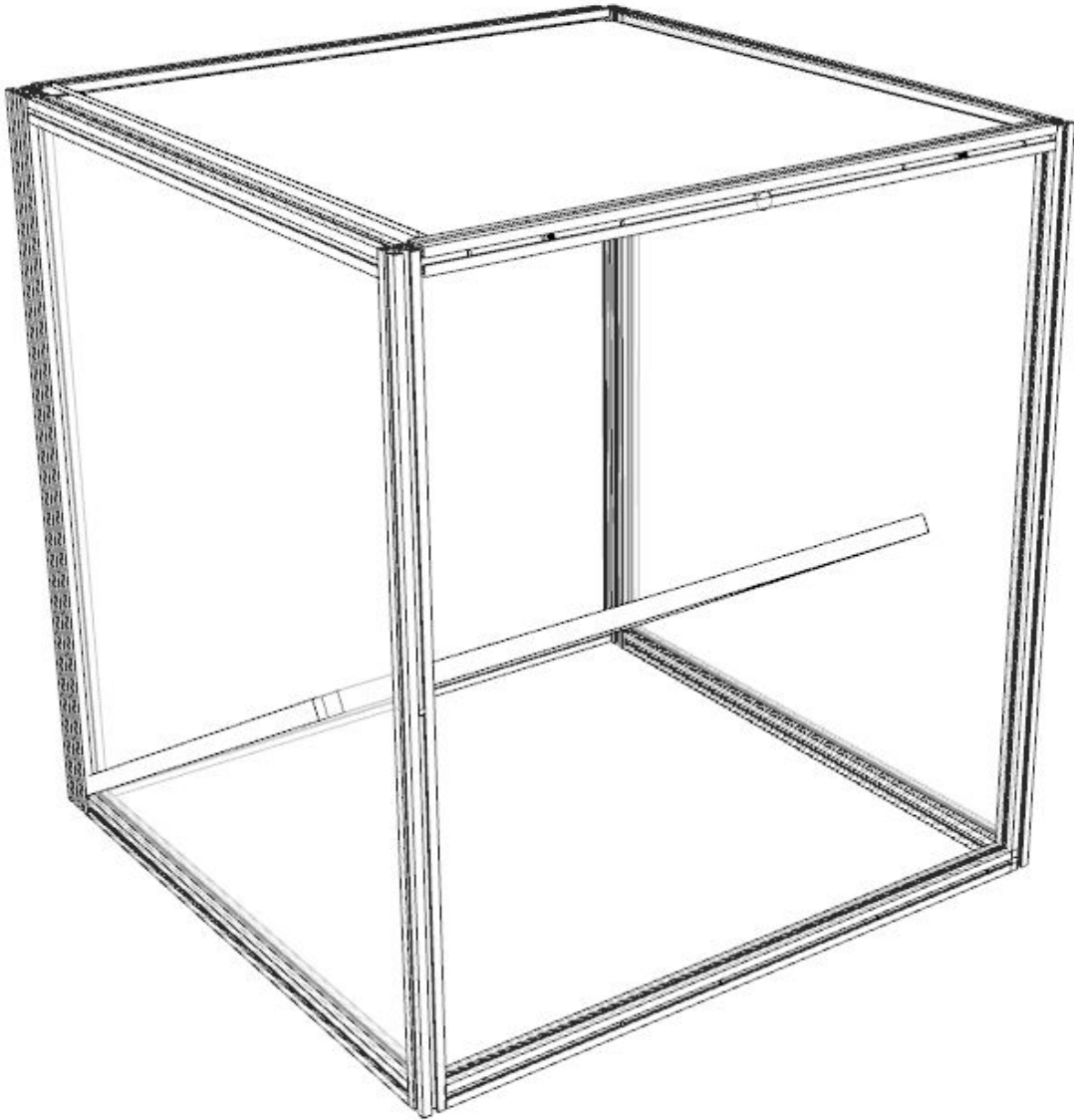


Insert back rubber highlighted in grey



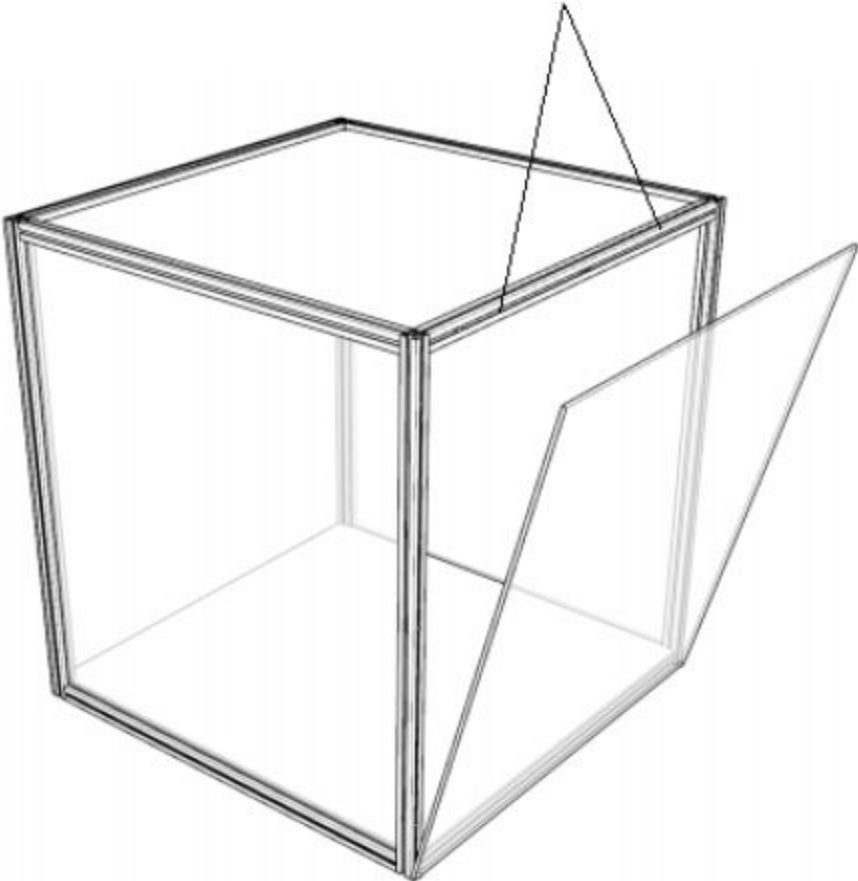
Insert bottom base

** Unit purchase with LED spotlight/strip refer to the led installation instruction before proceeding with this steps.



Insert front panel and safety screw

Hook on front panel



Safety screw

