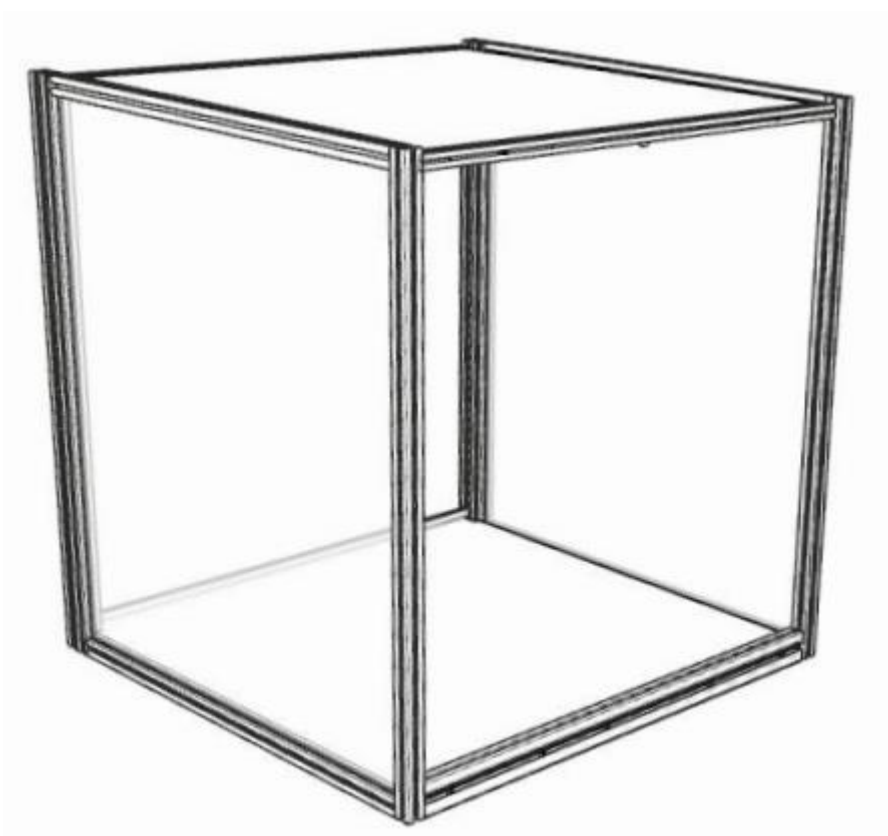


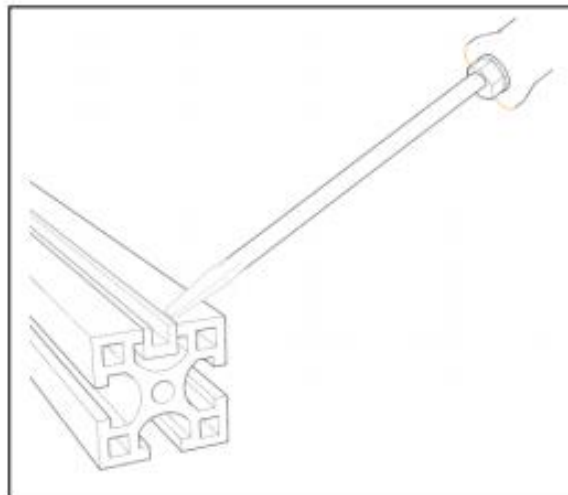
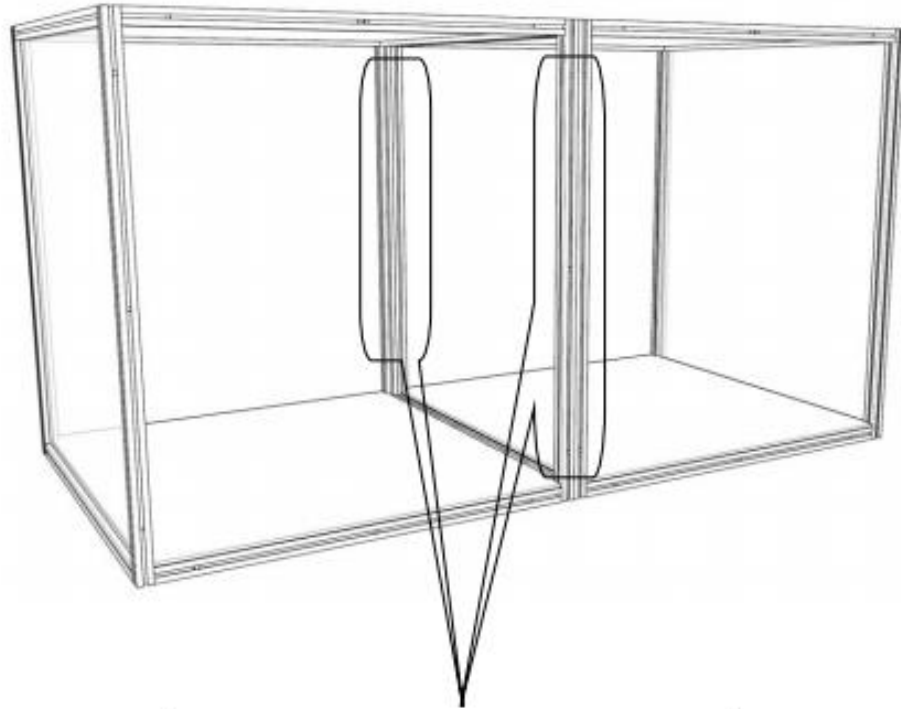
# DF Series

## DF60



**\*Note**

If you have adjoining displays, please remove the Rubber slots on the back of the front frame and Side frame bar before assembly of displays.



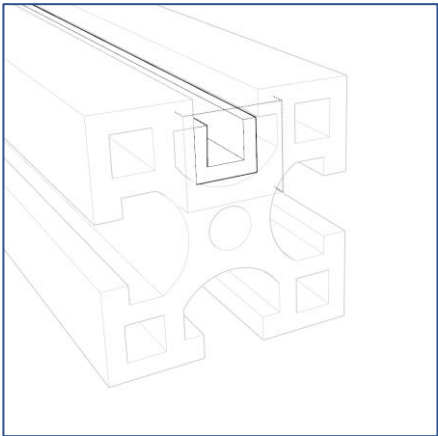
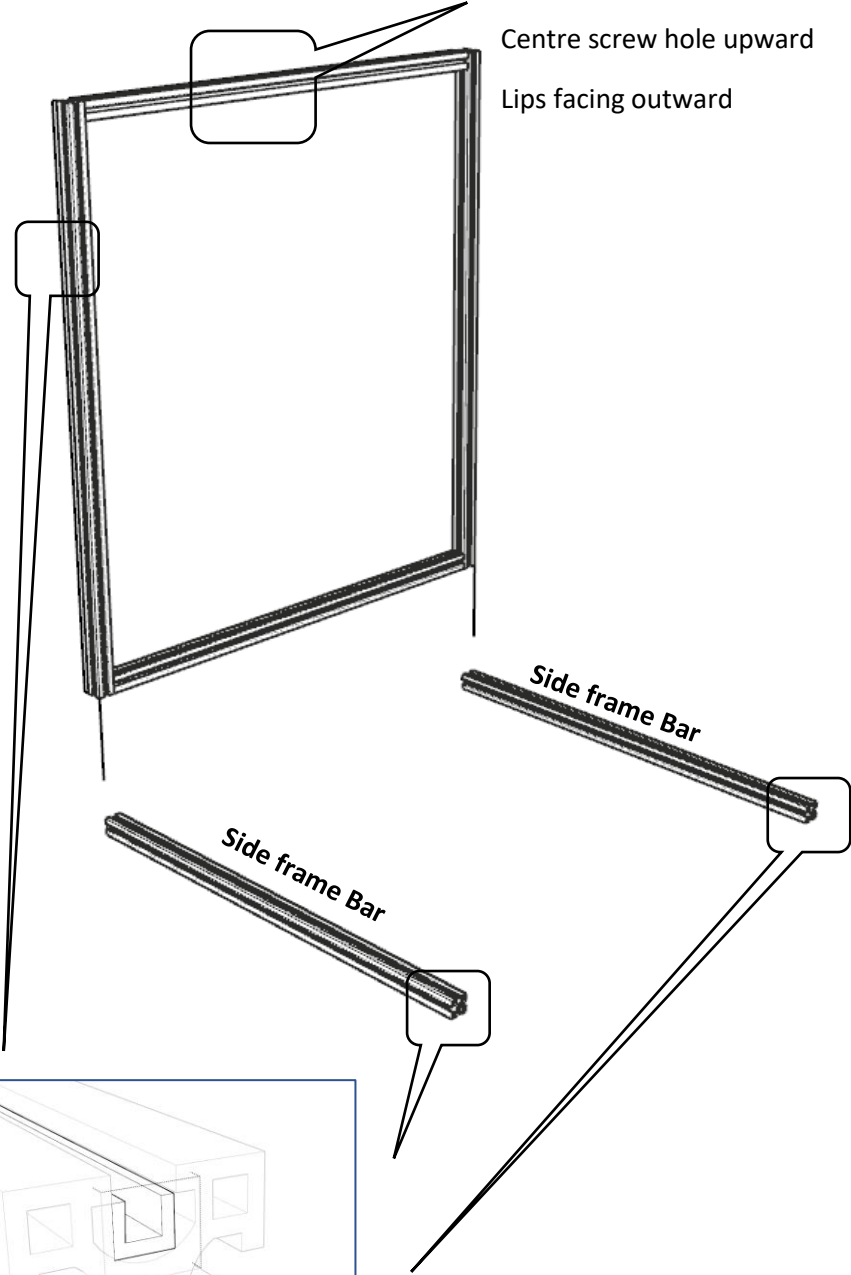
**\*Note: Remove plastic holder with a flat head screw driver.**

**Keep the holder for future if you will want to insert a side panel**

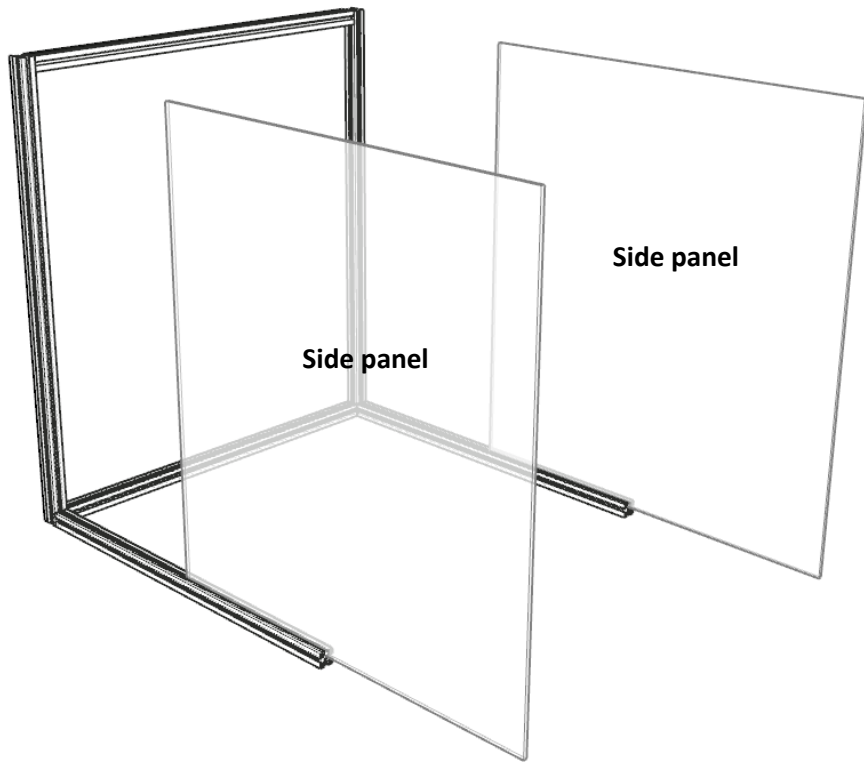
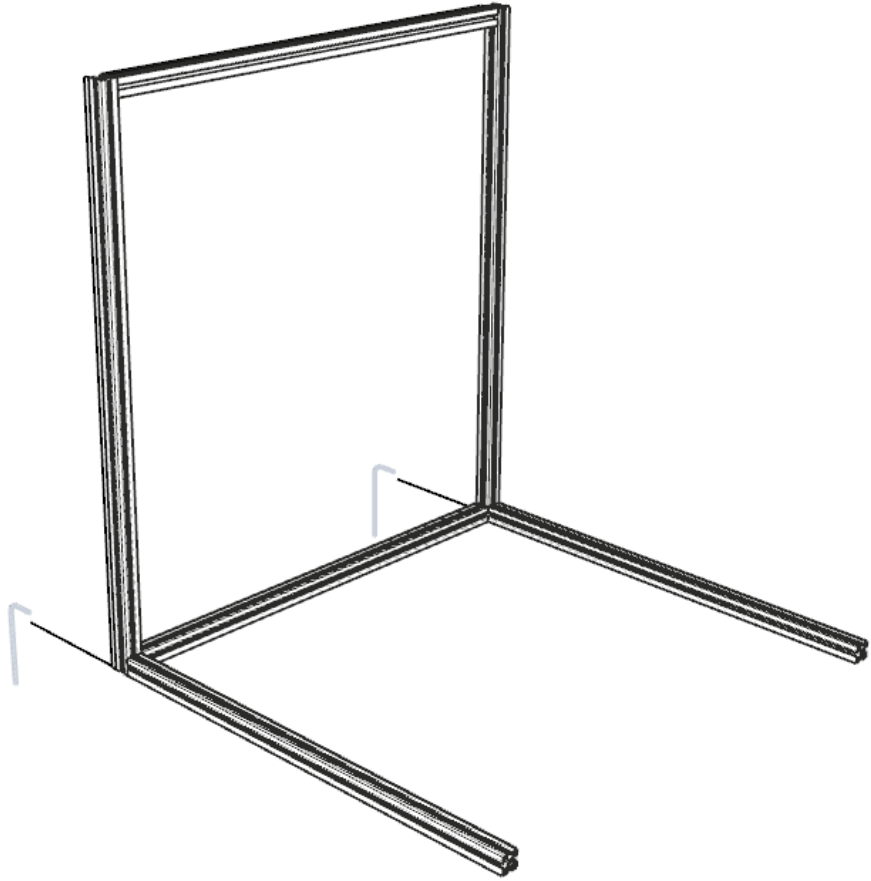
\*Orientation of Front frame

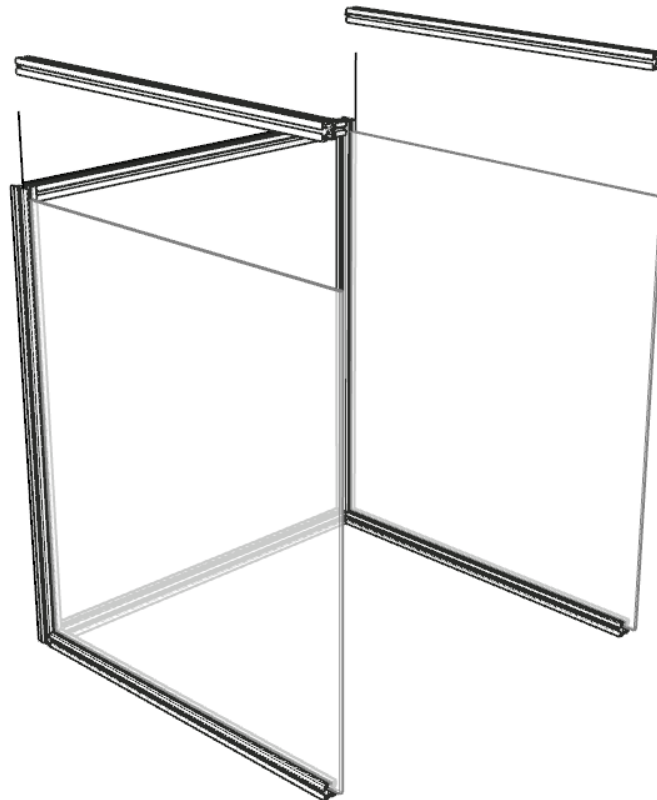
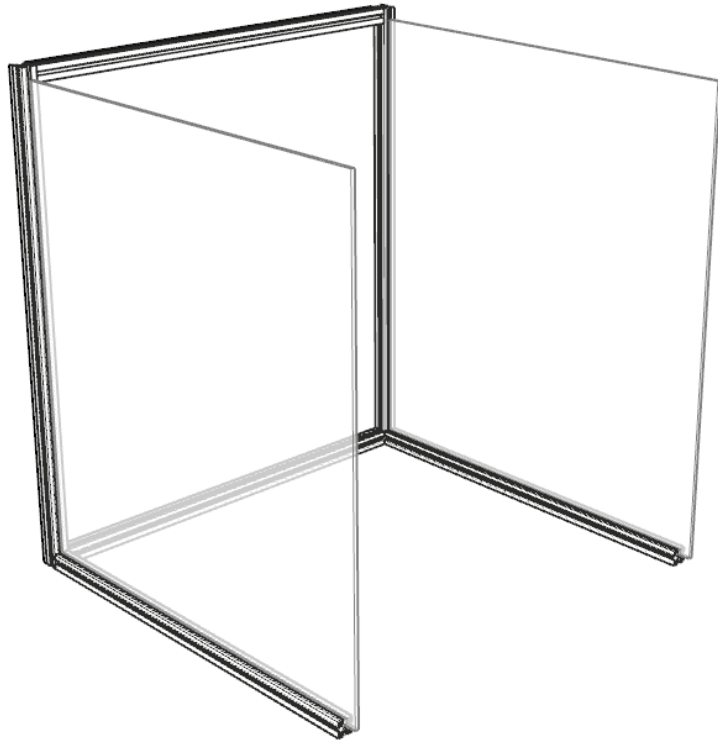
Centre screw hole upward

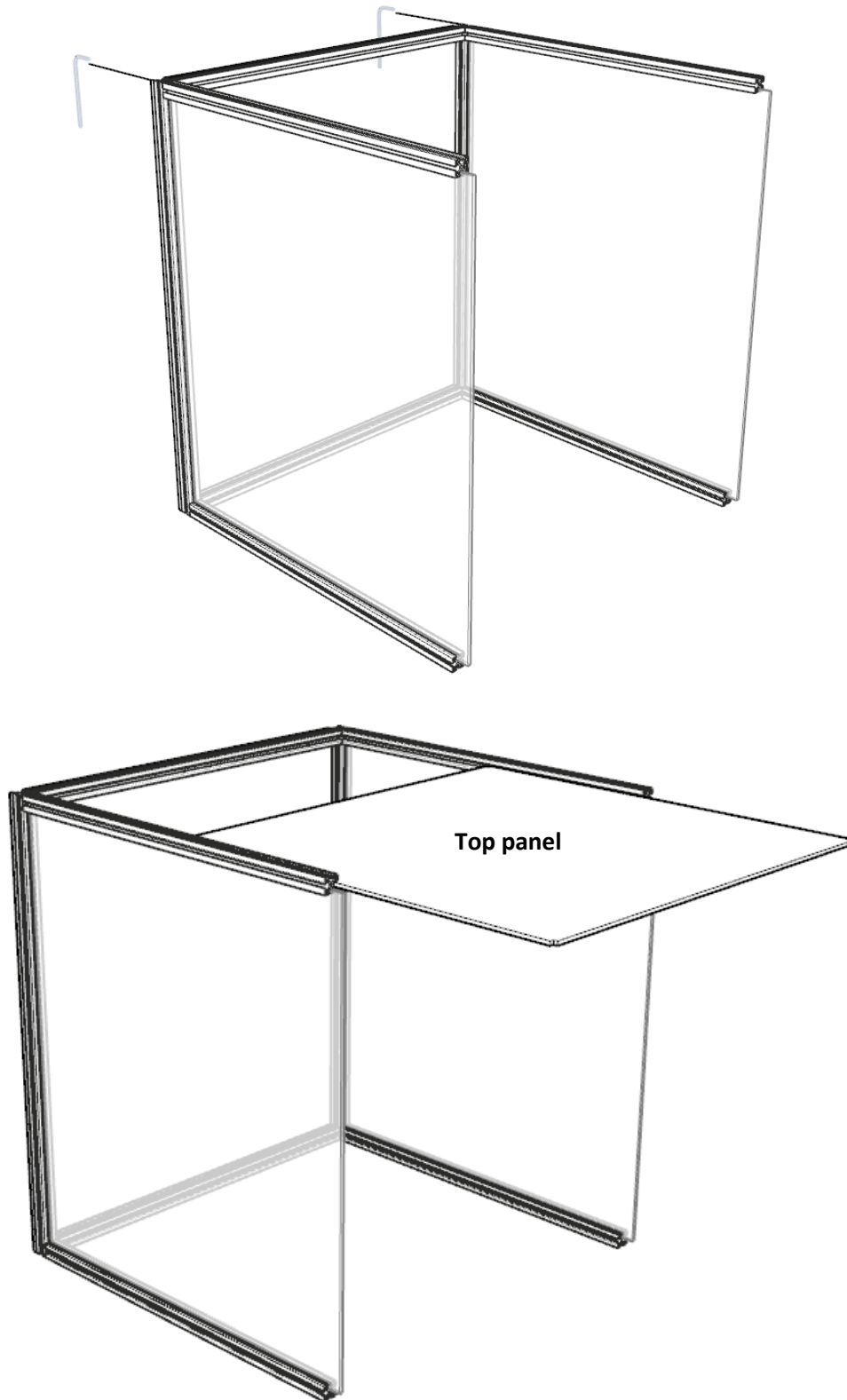
Lips facing outward

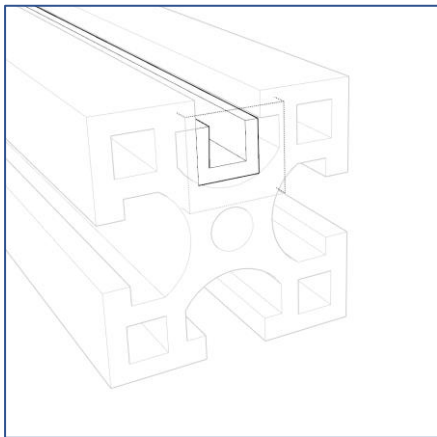
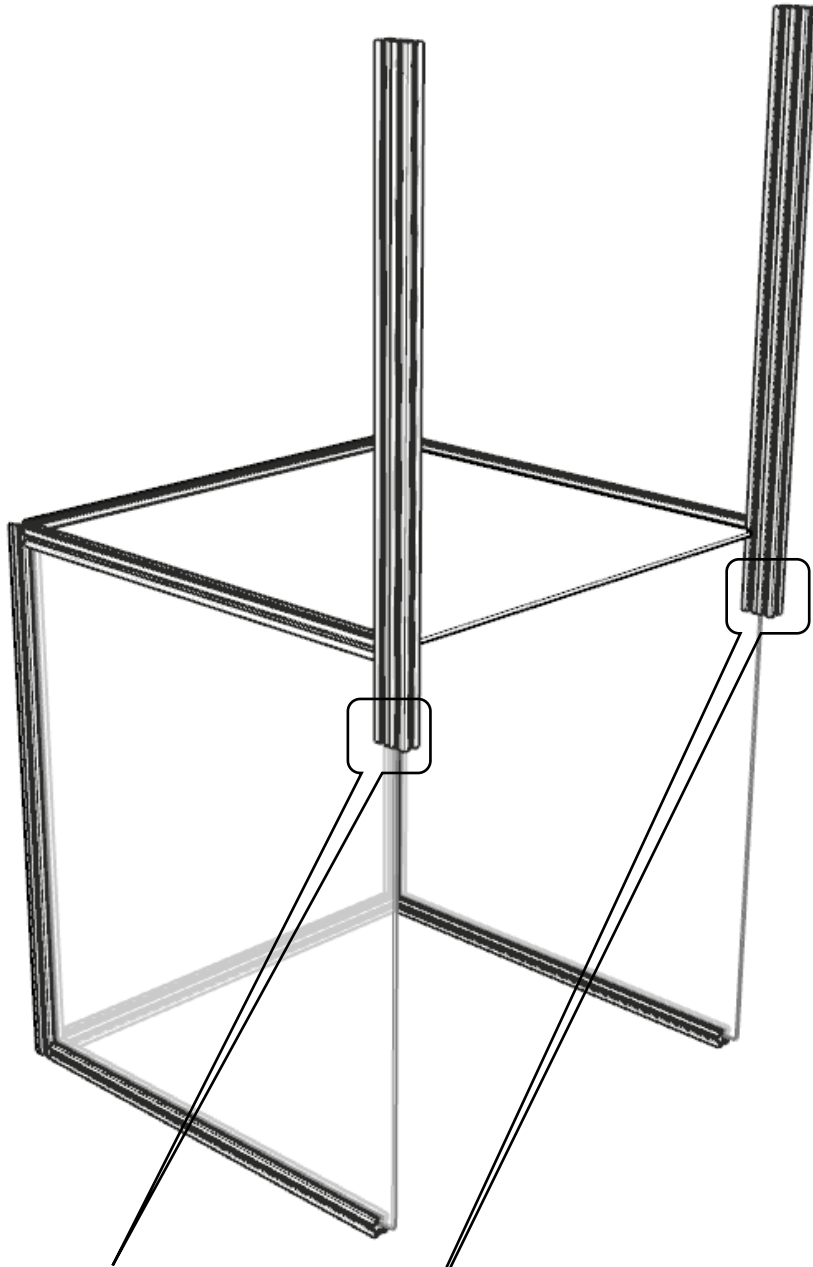


\*Rubber slot facing up

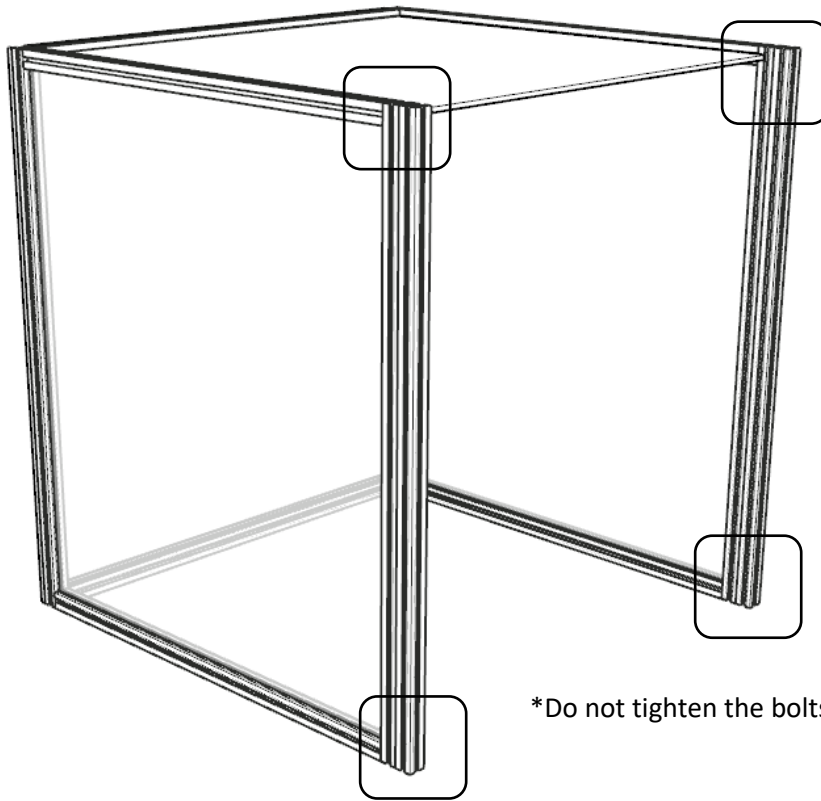




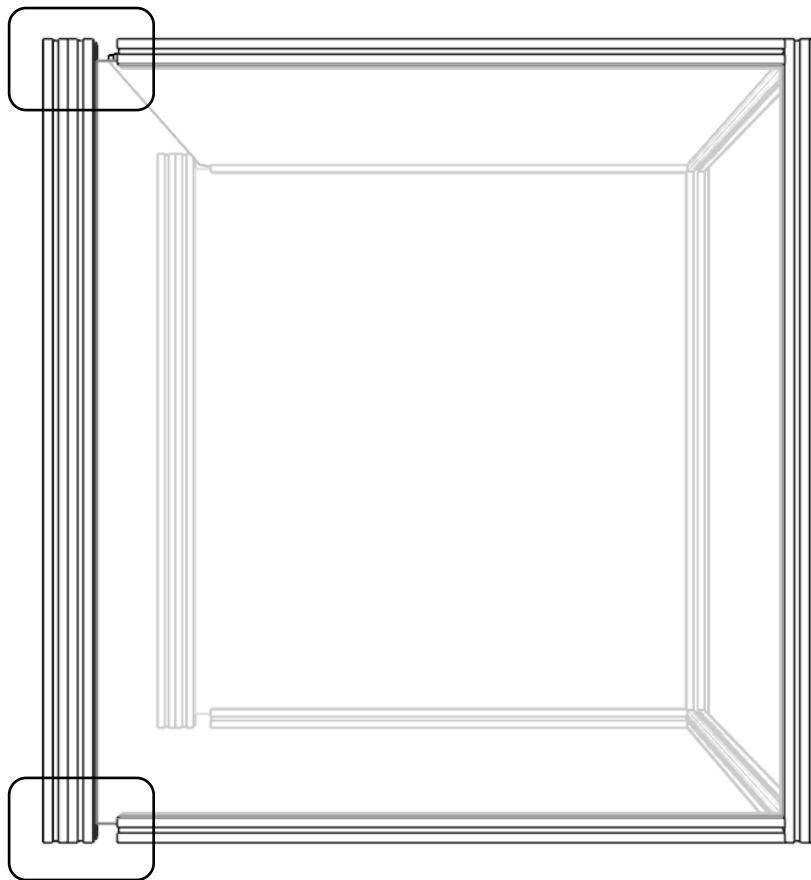




\*Rubber slot facing inward

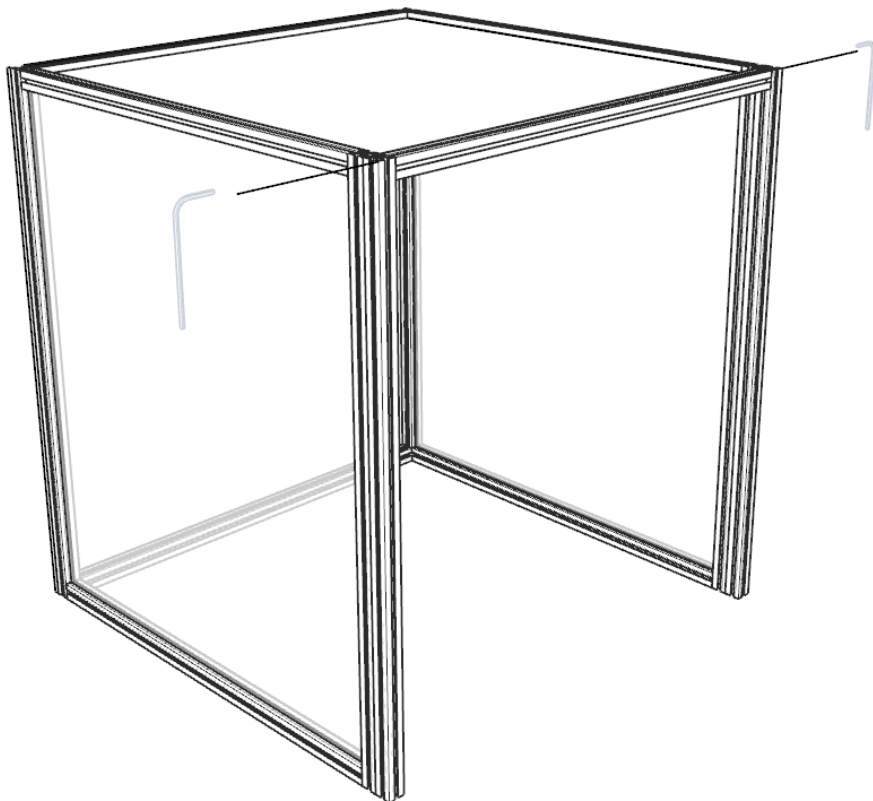
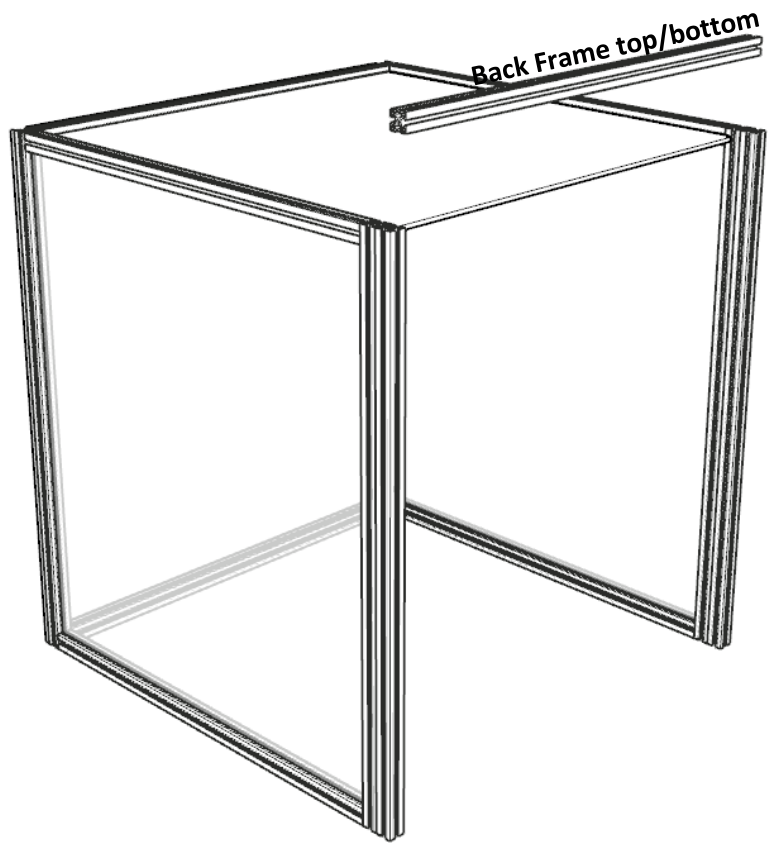


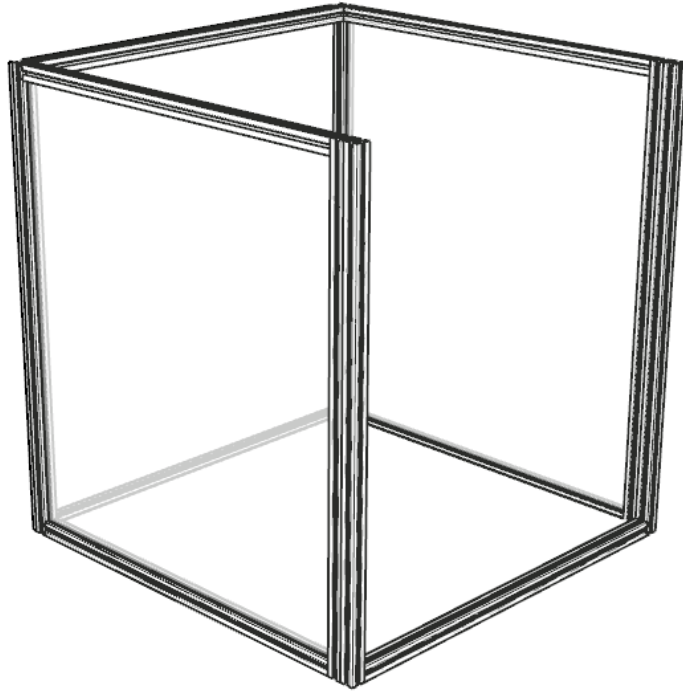
\*Do not tighten the bolts



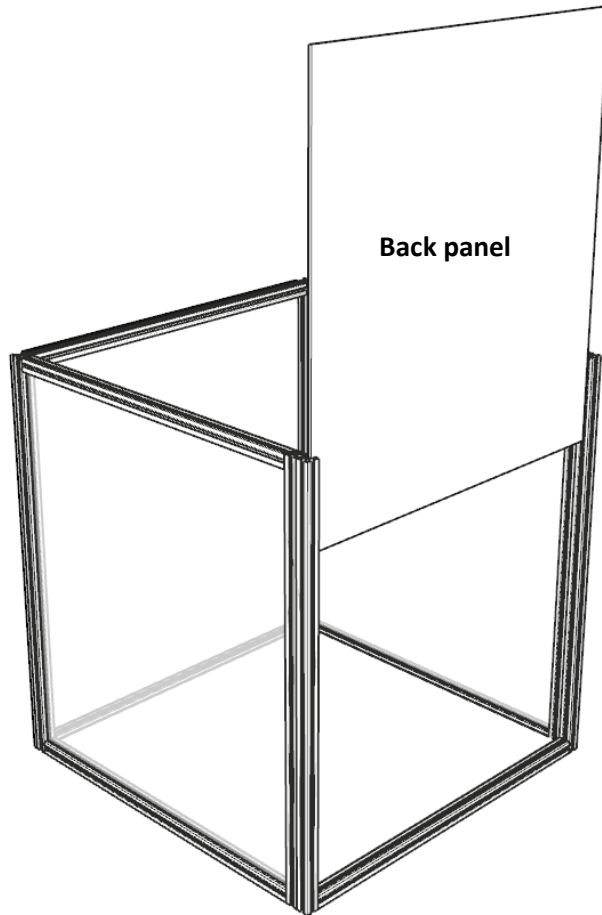
\*Leave at least a 5mm or 1/4" gap

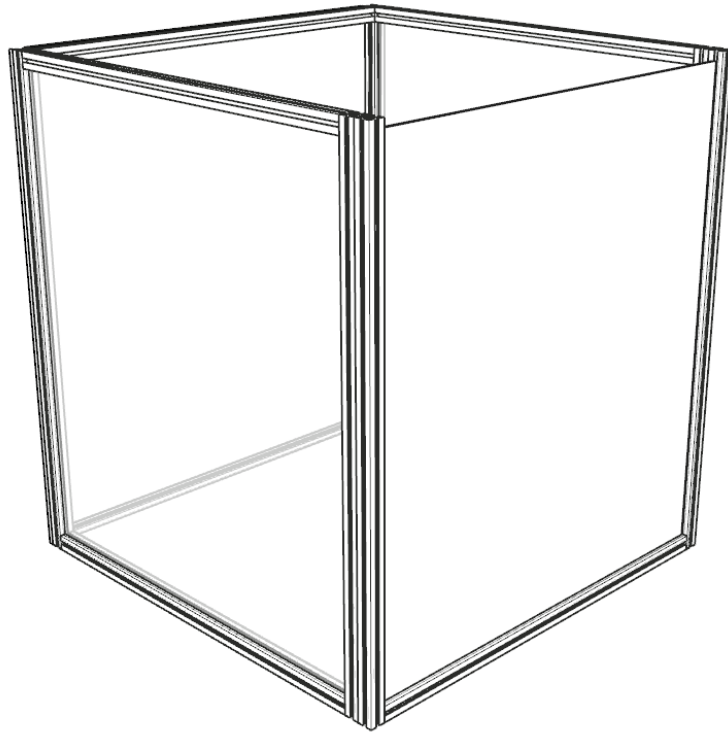






\*Flip the display 180 degrees





Back Frame top/bottom

